

Please note that the data given here has been taken from the online catalog. For comprehensive information and data, please refer to the user documentation at <http://www.download.phoenixcontact.com>. The General Terms and Conditions of Use apply to Internet downloads.

► Extract from the online catalog



Sensor/actuator box, with LED, with M23 plug connection and double-occupied slots

The illustration shows a version with 8 slots

Order No.	1692433
Ord designation	SACB-6/12-L-M23
EAN	4017918177898
Pack	1 Pcs.
Customs tariff	85366990
Catalog page information	Page 130 (PC-2005)

► Technical data

General data

Nominal voltage U_N	24 V DC
Max. operating voltage U_{max}	30 V DC
Ambient temperature (operation)	-25 ° C ... 75 ° C
Degree of protection	IP65/IP67
Number of positions	5
Max. current carrying capacity per path	2 A
SACB total current	12 A
Operating current of the indicator elements	≤ 5 mA
Number of slots	6
Sensor/actuator connection system	M 12 female connector

Local diagnostics function

Local diagnostics	Supply voltage per module LED green
Local diagnostics	Status display I/O Yellow LED

Master cable data

Type of connection	M23 plug connection
--------------------	---------------------

Insulation material

Insulating material	PA 6.6
Inflammability class acc. to UL 94	V0

► Certificates

Certificate logos



CUL

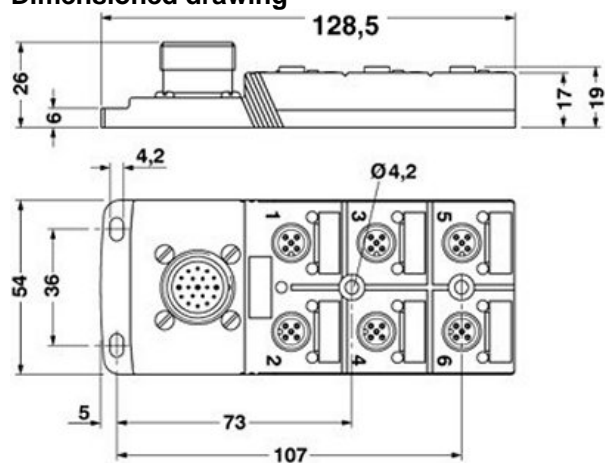
Nominal voltage U_N	120 V
AWG/kcmil	22-16

UL

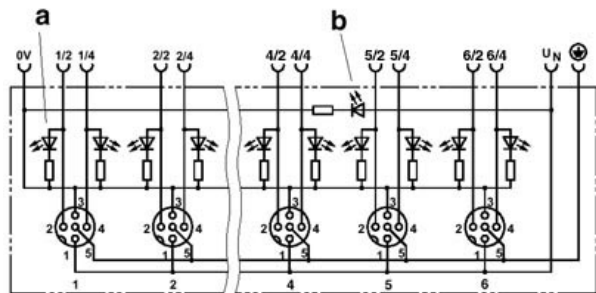
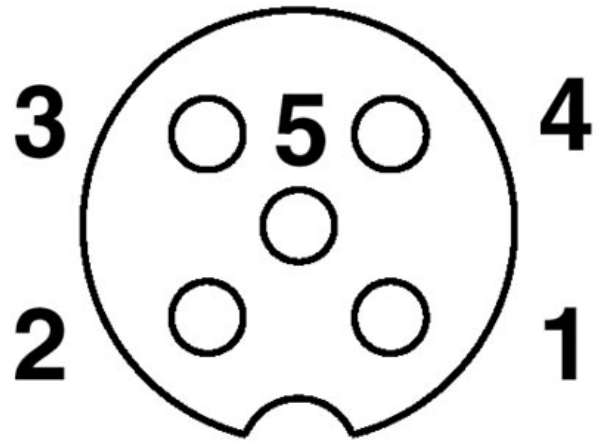
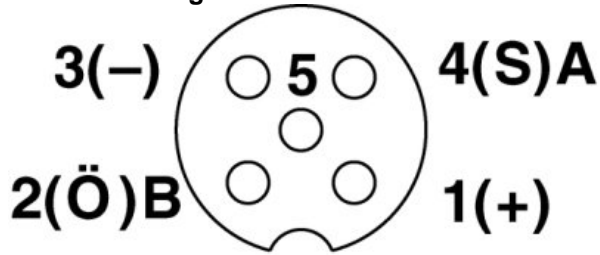
Nominal voltage U_N	120 V
AWG/kcmil	22-16

► Drawings

Dimensioned drawing



Schematic diagram



► Accessories

Item	Designation	Description
Assembly		
1680539	PROT-M12	Sealing cap for closing unoccupied connections M12
Plug/Adapter		
1685107	RC-T 12/1BU2ST	Connector M23, 12-pos., one M23 male two M23 female
1684014	RCK-TGUM/BL12/ 5,0PUR-U	Female connector M 23, straight, 12-pos., with master cable 5 m
1684027	RCK-TGUM/BL12/10,0PUR-U	Female connector M 23, straight, 12-pos., with master cable 10 m
1684056	RCK-TGUM/BL16+3/ 5,0PUR-U	Female connector M 23, straight, 19-pos., with master cable 5 m
1684069	RCK-TGUM/BL16+3/10,0PUR-U	Female connector M 23, straight, 19-pos., with master cable 10 m
1684030	RCK-TWUM/BL12/ 5,0PUR-U	Female connector M 23, angled, 12-pos., with master cable 5 m
1684043	RCK-TWUM/BL12/10,0PUR-U	Female connector M 23, angled, 12-pos., with master cable 10 m
1684072	RCK-TWUM/BL16+3/ 5,0PUR-U	Female connector M 23, angled, 19-pos., with master cable 10 m
1684085	RCK-TWUM/BL16+3/10,0PUR-U	Female connector M 23, angled, 19-pos., with master cable 10 m
1000041	V-RC/TGUM 11/KVD 11/LBL 12	Female connector M 23, straight, 12-pos., with solder connection, for cable diameters 8 - 12 mm, PG 11
1000042	V-RC/TGUM 13/KVD 13/LBL 16+3	Female connector M 23, straight, 19-pos., with solder connection, for cable diameters 10 - 14 mm, PG 13.5
1000043	V-RC/TWUM 11/KVD 11/LBL 12	Female connector M 23, angled, 12-pos., with solder connection, for cable diameters 8 - 12 mm, PG 11
1000044	V-RC/TWUM 13/KVD 13/LBL 16+3	Female connector M 23, angled, 19-pos., with solder connection, for cable diameters 10 - 14 mm, PG 13.5



► **Address**

PHOENIX CONTACT Inc., USA
586 Fulling Mill Road
Middletown, PA 17057
USA
Phone (800) 888-7388
Fax (717) 944-1625
<http://www.phoenixcon.com>
Phoenix Contact
Technical modifications reserved;